

BIONIQ ROUND ADJUSTABLE TRIMLESS

A35527-

base number Finishes (Diamond) Ceiling Thickness Reflector Options

- To build a product code in our configurator select the specify button on the base model # product page
- To build a manual product code on this datasheet choose from the options listed below in blue font and add the suffix to the base model #

GENERAL

Series: Bioniq
 Subseries: Bioniq Round Adjustable
 Brand: Prolicht
 Division: Architectural
 Mounting Type: Trimless
 Mounting Location: Ceiling
 Subcategory: Downlight

PHYSICAL

Shape: Round
 Diameter (mm): 107
 Diameter (in): 4 3/16
 Height (mm): 112
 Height (in): 4 7/16
 Ceiling Thickness (mm): 10 / 12.5 / 15 / 25
 Ceiling Thickness (in): 3/8 or 1/2 or 9/16 or 1
 Min. Recessing Depth (mm): 130
 Min. Recessing Depth (in): 5 1/8
 Light Distribution: Adjustable / Downlight
 Weight (kg): 0.583
 Weight (lbs): 1.28
 Fixture Finish: SSR / BKV / CWI / CRY / HAB / UFT / ITA / RUA / FTG / MYG / LOD / PUS / FRO / FUP / KIA / POP / BLS / SPG / MEY / GOH / GUM / CHC / COM / ABZ / JAG / OBR / MOS / ROR
 Fixture Material: Aluminum Die Cast
 Cut-out Measurements: Ø111mm/4 3/8"
 Upon Request: Unique Ceiling Thickness

ELECTRICAL

Lamp Type: LED (Zhaga Standard)
 Input Wattage (W): 16.5
 Total Output Wattage (W): 14.7
 Dimming: Dali Dimming
 Driver Location: Recessed Housing
 Driver Type: Constant Current - 120Vac
 Driver Class: Class 2
 Housing: See Components
 Input Voltage (V): 120
 Constant Current (MA): 350

LED

Number of LEDs: 1
 Max. Delivered Lumen (lm): 770
 Nominal Lumen (lm): 1140
 CRI: >90 CRI
 Lamp Life (hrs): 50000
 Upon Request: RGB-W Tunable White Special Color Temperature Special LED

OPTICAL

Reflector: 20 / 40 / 60
 Adjustability: Rotational 355°; Tilt 30°
 Upon Request: Special Beam Angles

RATINGS AND CERTIFICATIONS

Certified By: Certified for North American Standards
 IP rating: IP20



BIONIQ ROUND ADJUSTABLE TRIMLESS

A35527-

PROJECT	_____
TYPE	_____
SPECIFIER	_____
QUANTITY	_____
DATE	_____



PROJECT
TYPE
SPECIFIER
QUANTITY
DATE

BIONIQ ROUND SEMI ADJUSTABLE TRIMLESS

A35529-

base number	Finishes (Diamond)	Ceiling Thickness	Reflector Options
-------------	-----------------------	----------------------	----------------------

- To build a product code in our configurator select the specify button on the base model # product page
- To build a manual product code on this datasheet choose from the options listed below in blue font and add the suffix to the base model #

GENERAL

Series: Bioniq
Subseries: Bioniq Round Semi Adjustable
Brand: Prolicht
Division: Architectural
Mounting Type: Trimless
Mounting Location: Ceiling
Subcategory: Downlight

PHYSICAL

Shape: Round
Diameter (mm): 107
Diameter (in): 4 3/16
Height (mm): 112
Height (in): 4 7/16
Ceiling Thickness (mm): 10 / 12.5 / 15 / 25
Ceiling Thickness (in): 3/8 or 1/2 or 9/16 or 1
Min. Recessing Depth (mm): 130
Min. Recessing Depth (in): 5 1/8
Light Distribution: Adjustable / Downlight
Weight (kg): 0.609
Weight (lbs): 1.34
Fixture Finish: SSR / BKV / CWI / CRY / HAB / UFT / ITA / RUA / FTG / MYG / LOD / PUS / FRO / FUP / KIA / POP / BLS / SPG / MEY / GOH / GUM / CHC / COM / ABZ / JAG / OBR / MOS / ROR
Fixture Material: Aluminum Die Cast
Cut-out Measurements: Ø 111mm / 4 3/8"
Upon Request: Unique Ceiling Thickness

ELECTRICAL

Lamp Type: LED (Zhaga Standard)
Input Wattage (W): 16.5
Total Output Wattage (W): 14.7
Dimming: Dali Dimming
Driver Included: No
Driver Location: Recessed Housing
Driver Type: Constant Current - 120Vac
Driver Class: Class 2
Housing: See Components
Input Voltage (V): 120
Constant Current (MA): 350

LED

Number of LEDs: 1
Max. Delivered Lumen (lm): 770
Nominal Lumen (lm): 1140
CRI: >90 CRI
Lamp Life (hrs): 50000
Upon Request: RGB-W Tunable White Special Color Temperature Special LED

OPTICAL

Reflector: 20 / 40 / 60
Adjustability: Rotational 355°; Tilt 10°
Upon Request: Special Beam Angles

RATINGS AND CERTIFICATIONS

Certified By: Certified for North American Standards
IP rating: IP20

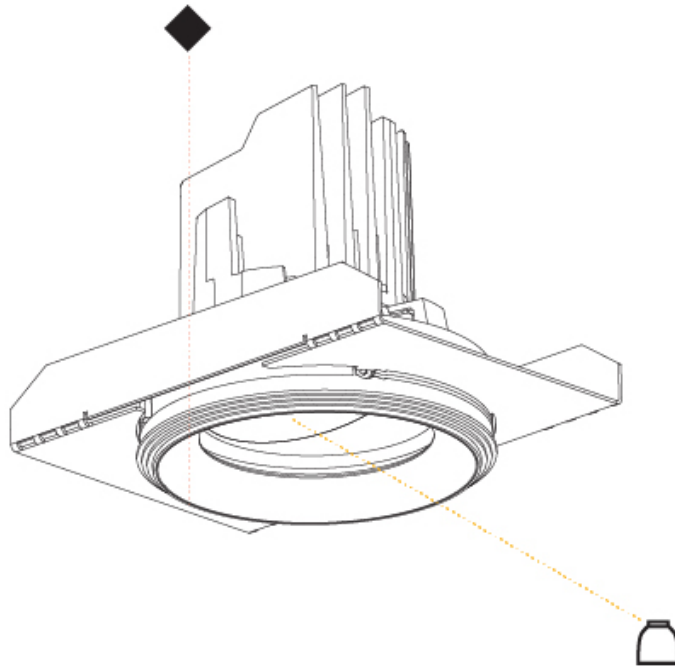


111mm 4 3/16"	130mm 5 1/8"	10 12 1/2 15 25mm 3/8" 1/2" 9/16" 1"	10°	355°	
A					

BIONIQ ROUND SEMI ADJUSTABLE TRIMLESS

A35529-

PROJECT	_____
TYPE	_____
SPECIFIER	_____
QUANTITY	_____
DATE	_____



BIONIQ SQUARE ADJUSTABLE TRIMLESS

A35530-

base number Finishes (Diamond) Finishes (Triangle) Ceiling Thickness Reflector Options

- To build a product code in our configurator select the specify button on the base model # product page
- To build a manual product code on this datasheet choose from the options listed below in blue font and add the suffix to the base model #

GENERAL

Series: Bioniq
 Subseries: Bioniq Square Adjustable
 Brand: Prolicht
 Division: Architectural
 Mounting Type: Trimless
 Mounting Location: Ceiling
 Subcategory: Downlight

PHYSICAL

Shape: Square
 Length (mm): 106
 Length (in): 4 ³/₁₆
 Width (mm): 106
 Width (in): 4 ³/₁₆
 Height (mm): 134
 Height (in): 5 ¹/₄
 Ceiling Thickness (mm): 10 / 12.5 / 15 / 25
 Ceiling Thickness (in): 3/8 or 1/2 or 9/16 or 1
 Min. Recessing Depth (mm): 150
 Min. Recessing Depth (in): 5 ⁷/₈
 Light Distribution: Adjustable / Downlight
 Weight (kg): 0.64
 Weight (lbs): 1.41
 Fixture Finish: SSR / BKV / CWI / CRY / HAB / UFT / ITA / RUA / FTG / MYG / LOD / PUS / FRO / FUP / KIA / POP / BLS / SPG / MEY / GOH / GUM / CHC / COM / ABZ / JAG / OBR / MOS / ROR
 Fixture Material: Aluminum Die Cast
 Cut-out Measurements: 120mm / 4 3/4" x 120mm / 4 3/4"
 Upon Request: Unique Ceiling Thickness

ELECTRICAL

Lamp Type: LED (Zhaga Standard)
 Input Wattage (W): 16.5
 Total Output Wattage (W): 14.7
 Dimming: Dali Dimming
 Driver Included: No
 Driver Location: Recessed Housing
 Driver Type: Constant Current - 120Vac
 Driver Class: Class 2
 Housing: See Components
 Input Voltage (V): 120
 Constant Current (MA): 350

LED

Number of LEDs: 1
 Max. Delivered Lumen (lm): 770
 Nominal Lumen (lm): 1140
 CRI: >90 CRI
 Lamp Life (hrs): 50000
 Upon Request: RGB-W Tunable White Special Color Temperature Special LED

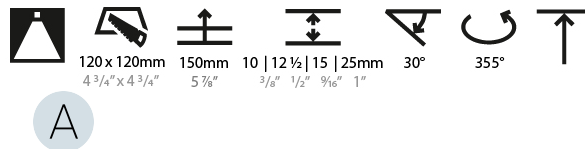
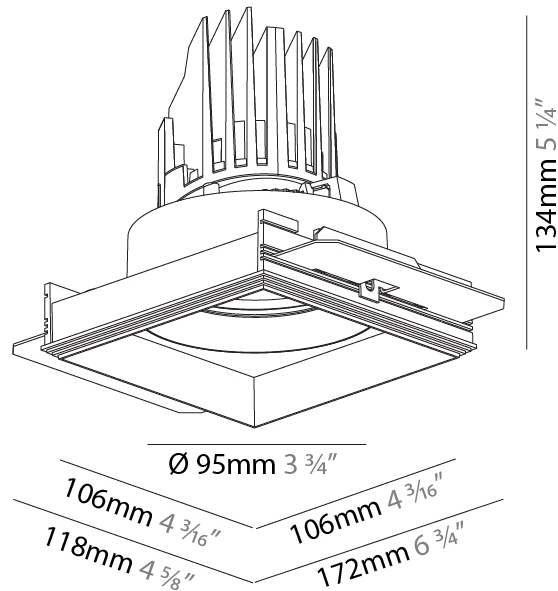
OPTICAL

Reflector°: 20 / 40 / 60
 Adjustability: Rotational 355°; Tilt 30°
 Upon Request: Special Beam Angles

RATINGS AND CERTIFICATIONS

Certified By: Certified for North American Standards
 Zaneen Lighting Inc. © 2024, P.O. Box 3387, Fort St. Vrain, CO 80541, www.zaneen.com

For international specifications by adding 'INT' at the end of the existing Model #. For assistance on 'custom' specifications, contact zteam@zaneen.com.
 In a constant effort to supply the best product, we reserve the right to change specifications or materials without notice. The most recent specification sheets are found at zaneen.com



BIONIQ SQUARE ADJUSTABLE TRIMLESS

A35530-

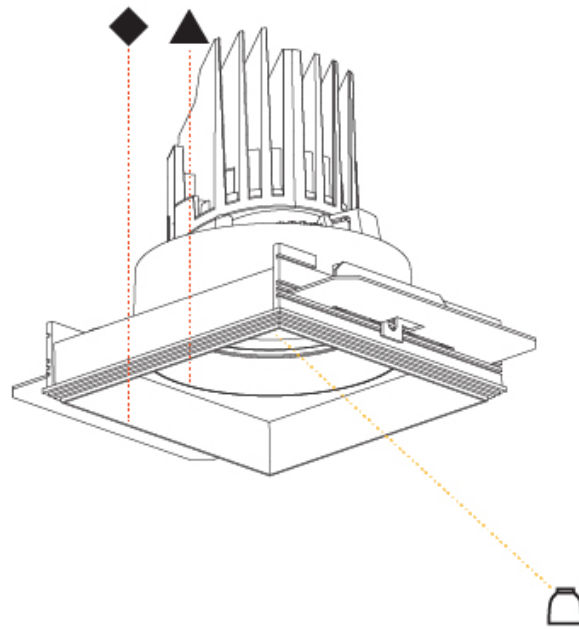
PROJECT

TYPE

SPECIFIER

QUANTITY

DATE



PROJECT	
TYPE	
SPECIFIER	
QUANTITY	
DATE	

BIONIQ SQUARE ADJUSTABLE COMFORT TRIMLESS

A35531- _____
 base number Finishes (Diamond) Finishes (Triangle) Finishes (Circle) Ceiling Thickness Reflector Options

- To build a product code in our configurator select the specify button on the base model # product page
- To build a manual product code on this datasheet choose from the options listed below in blue font and add the suffix to the base model #

GENERAL

Series: Bioniq
 Subseries: Bioniq Square Adjustable Comfort
 Brand: Prolicht
 Division: Architectural
 Mounting Type: Trimless
 Mounting Location: Ceiling
 Subcategory: Downlight

PHYSICAL

Shape: Square
 Length (mm): 106
 Length (in): 4 3/16
 Width (mm): 106
 Width (in): 4 3/16
 Height (mm): 134
 Height (in): 5 1/4
 Ceiling Thickness (mm): 10 / 12.5 / 15 / 25
 Ceiling Thickness (in): 3/8 or 1/2 or 9/16 or 1
 Min. Recessing Depth (mm): 150
 Min. Recessing Depth (in): 5 7/8
 Light Distribution: Adjustable / Downlight
 Weight (kg): 0.704
 Weight (lbs): 1.55
 Fixture Finish: SSR / BKV / CWI / CRY / HAB / UFT / ITA / RUA / FTG / MYG / LOD / PUS / FRO / FUP / KIA / POP / BLS / SPG / MEY / GOH / GUM / CHC / COM / ABZ / JAG / OBR / MOS / ROR
 Fixture Material: Aluminum Die Cast
 Cut-out Measurements: 120mm / 4 3/4" x 120mm / 4 3/4"
 Upon Request: Unique Ceiling Thickness

ELECTRICAL

Lamp Type: LED (Zhaga Standard)
 Input Wattage (W): 16.5
 Total Output Wattage (W): 14.7
 Dimming: Dali Dimming
 Driver Included: No
 Driver Location: Recessed Housing
 Driver Type: Constant Current - 120Vac
 Driver Class: Class 2
 Housing: See Components
 Input Voltage (V): 120
 Constant Current (MA): 350

LED

Number of LEDs: 1
 Max. Delivered Lumen (lm): 770
 Nominal Lumen (lm): 1140
 CRI: >90 CRI
 Lamp Life (hrs): 50000
 Upon Request: RGB-W Tunable White Special Color Temperature Special LED

OPTICAL

Reflector: 20 / 40 / 60
 Adjustability: Rotational 355°; Tilt 30°
 Upon Request: Special Beam Angles

RATINGS AND CERTIFICATIONS

UL Listed, ETL Listed, CE, RoHS, Energy Star, FCC, IESNA, IEC, IEC 60598-2-22, IEC 60598-2-23, IEC 60598-2-24, IEC 60598-2-25, IEC 60598-2-26, IEC 60598-2-27, IEC 60598-2-28, IEC 60598-2-29, IEC 60598-2-30, IEC 60598-2-31, IEC 60598-2-32, IEC 60598-2-33, IEC 60598-2-34, IEC 60598-2-35, IEC 60598-2-36, IEC 60598-2-37, IEC 60598-2-38, IEC 60598-2-39, IEC 60598-2-40, IEC 60598-2-41, IEC 60598-2-42, IEC 60598-2-43, IEC 60598-2-44, IEC 60598-2-45, IEC 60598-2-46, IEC 60598-2-47, IEC 60598-2-48, IEC 60598-2-49, IEC 60598-2-50, IEC 60598-2-51, IEC 60598-2-52, IEC 60598-2-53, IEC 60598-2-54, IEC 60598-2-55, IEC 60598-2-56, IEC 60598-2-57, IEC 60598-2-58, IEC 60598-2-59, IEC 60598-2-60, IEC 60598-2-61, IEC 60598-2-62, IEC 60598-2-63, IEC 60598-2-64, IEC 60598-2-65, IEC 60598-2-66, IEC 60598-2-67, IEC 60598-2-68, IEC 60598-2-69, IEC 60598-2-70, IEC 60598-2-71, IEC 60598-2-72, IEC 60598-2-73, IEC 60598-2-74, IEC 60598-2-75, IEC 60598-2-76, IEC 60598-2-77, IEC 60598-2-78, IEC 60598-2-79, IEC 60598-2-80, IEC 60598-2-81, IEC 60598-2-82, IEC 60598-2-83, IEC 60598-2-84, IEC 60598-2-85, IEC 60598-2-86, IEC 60598-2-87, IEC 60598-2-88, IEC 60598-2-89, IEC 60598-2-90, IEC 60598-2-91, IEC 60598-2-92, IEC 60598-2-93, IEC 60598-2-94, IEC 60598-2-95, IEC 60598-2-96, IEC 60598-2-97, IEC 60598-2-98, IEC 60598-2-99, IEC 60598-2-100, IEC 60598-2-101, IEC 60598-2-102, IEC 60598-2-103, IEC 60598-2-104, IEC 60598-2-105, IEC 60598-2-106, IEC 60598-2-107, IEC 60598-2-108, IEC 60598-2-109, IEC 60598-2-110, IEC 60598-2-111, IEC 60598-2-112, IEC 60598-2-113, IEC 60598-2-114, IEC 60598-2-115, IEC 60598-2-116, IEC 60598-2-117, IEC 60598-2-118, IEC 60598-2-119, IEC 60598-2-120, IEC 60598-2-121, IEC 60598-2-122, IEC 60598-2-123, IEC 60598-2-124, IEC 60598-2-125, IEC 60598-2-126, IEC 60598-2-127, IEC 60598-2-128, IEC 60598-2-129, IEC 60598-2-130, IEC 60598-2-131, IEC 60598-2-132, IEC 60598-2-133, IEC 60598-2-134, IEC 60598-2-135, IEC 60598-2-136, IEC 60598-2-137, IEC 60598-2-138, IEC 60598-2-139, IEC 60598-2-140, IEC 60598-2-141, IEC 60598-2-142, IEC 60598-2-143, IEC 60598-2-144, IEC 60598-2-145, IEC 60598-2-146, IEC 60598-2-147, IEC 60598-2-148, IEC 60598-2-149, IEC 60598-2-150, IEC 60598-2-151, IEC 60598-2-152, IEC 60598-2-153, IEC 60598-2-154, IEC 60598-2-155, IEC 60598-2-156, IEC 60598-2-157, IEC 60598-2-158, IEC 60598-2-159, IEC 60598-2-160, IEC 60598-2-161, IEC 60598-2-162, IEC 60598-2-163, IEC 60598-2-164, IEC 60598-2-165, IEC 60598-2-166, IEC 60598-2-167, IEC 60598-2-168, IEC 60598-2-169, IEC 60598-2-170, IEC 60598-2-171, IEC 60598-2-172, IEC 60598-2-173, IEC 60598-2-174, IEC 60598-2-175, IEC 60598-2-176, IEC 60598-2-177, IEC 60598-2-178, IEC 60598-2-179, IEC 60598-2-180, IEC 60598-2-181, IEC 60598-2-182, IEC 60598-2-183, IEC 60598-2-184, IEC 60598-2-185, IEC 60598-2-186, IEC 60598-2-187, IEC 60598-2-188, IEC 60598-2-189, IEC 60598-2-190, IEC 60598-2-191, IEC 60598-2-192, IEC 60598-2-193, IEC 60598-2-194, IEC 60598-2-195, IEC 60598-2-196, IEC 60598-2-197, IEC 60598-2-198, IEC 60598-2-199, IEC 60598-2-200, IEC 60598-2-201, IEC 60598-2-202, IEC 60598-2-203, IEC 60598-2-204, IEC 60598-2-205, IEC 60598-2-206, IEC 60598-2-207, IEC 60598-2-208, IEC 60598-2-209, IEC 60598-2-210, IEC 60598-2-211, IEC 60598-2-212, IEC 60598-2-213, IEC 60598-2-214, IEC 60598-2-215, IEC 60598-2-216, IEC 60598-2-217, IEC 60598-2-218, IEC 60598-2-219, IEC 60598-2-220, IEC 60598-2-221, IEC 60598-2-222, IEC 60598-2-223, IEC 60598-2-224, IEC 60598-2-225, IEC 60598-2-226, IEC 60598-2-227, IEC 60598-2-228, IEC 60598-2-229, IEC 60598-2-230, IEC 60598-2-231, IEC 60598-2-232, IEC 60598-2-233, IEC 60598-2-234, IEC 60598-2-235, IEC 60598-2-236, IEC 60598-2-237, IEC 60598-2-238, IEC 60598-2-239, IEC 60598-2-240, IEC 60598-2-241, IEC 60598-2-242, IEC 60598-2-243, IEC 60598-2-244, IEC 60598-2-245, IEC 60598-2-246, IEC 60598-2-247, IEC 60598-2-248, IEC 60598-2-249, IEC 60598-2-250, IEC 60598-2-251, IEC 60598-2-252, IEC 60598-2-253, IEC 60598-2-254, IEC 60598-2-255, IEC 60598-2-256, IEC 60598-2-257, IEC 60598-2-258, IEC 60598-2-259, IEC 60598-2-260, IEC 60598-2-261, IEC 60598-2-262, IEC 60598-2-263, IEC 60598-2-264, IEC 60598-2-265, IEC 60598-2-266, IEC 60598-2-267, IEC 60598-2-268, IEC 60598-2-269, IEC 60598-2-270, IEC 60598-2-271, IEC 60598-2-272, IEC 60598-2-273, IEC 60598-2-274, IEC 60598-2-275, IEC 60598-2-276, IEC 60598-2-277, IEC 60598-2-278, IEC 60598-2-279, IEC 60598-2-280, IEC 60598-2-281, IEC 60598-2-282, IEC 60598-2-283, IEC 60598-2-284, IEC 60598-2-285, IEC 60598-2-286, IEC 60598-2-287, IEC 60598-2-288, IEC 60598-2-289, IEC 60598-2-290, IEC 60598-2-291, IEC 60598-2-292, IEC 60598-2-293, IEC 60598-2-294, IEC 60598-2-295, IEC 60598-2-296, IEC 60598-2-297, IEC 60598-2-298, IEC 60598-2-299, IEC 60598-2-300, IEC 60598-2-301, IEC 60598-2-302, IEC 60598-2-303, IEC 60598-2-304, IEC 60598-2-305, IEC 60598-2-306, IEC 60598-2-307, IEC 60598-2-308, IEC 60598-2-309, IEC 60598-2-310, IEC 60598-2-311, IEC 60598-2-312, IEC 60598-2-313, IEC 60598-2-314, IEC 60598-2-315, IEC 60598-2-316, IEC 60598-2-317, IEC 60598-2-318, IEC 60598-2-319, IEC 60598-2-320, IEC 60598-2-321, IEC 60598-2-322, IEC 60598-2-323, IEC 60598-2-324, IEC 60598-2-325, IEC 60598-2-326, IEC 60598-2-327, IEC 60598-2-328, IEC 60598-2-329, IEC 60598-2-330, IEC 60598-2-331, IEC 60598-2-332, IEC 60598-2-333, IEC 60598-2-334, IEC 60598-2-335, IEC 60598-2-336, IEC 60598-2-337, IEC 60598-2-338, IEC 60598-2-339, IEC 60598-2-340, IEC 60598-2-341, IEC 60598-2-342, IEC 60598-2-343, IEC 60598-2-344, IEC 60598-2-345, IEC 60598-2-346, IEC 60598-2-347, IEC 60598-2-348, IEC 60598-2-349, IEC 60598-2-350, IEC 60598-2-351, IEC 60598-2-352, IEC 60598-2-353, IEC 60598-2-354, IEC 60598-2-355, IEC 60598-2-356, IEC 60598-2-357, IEC 60598-2-358, IEC 60598-2-359, IEC 60598-2-360, IEC 60598-2-361, IEC 60598-2-362, IEC 60598-2-363, IEC 60598-2-364, IEC 60598-2-365, IEC 60598-2-366, IEC 60598-2-367, IEC 60598-2-368, IEC 60598-2-369, IEC 60598-2-370, IEC 60598-2-371, IEC 60598-2-372, IEC 60598-2-373, IEC 60598-2-374, IEC 60598-2-375, IEC 60598-2-376, IEC 60598-2-377, IEC 60598-2-378, IEC 60598-2-379, IEC 60598-2-380, IEC 60598-2-381, IEC 60598-2-382, IEC 60598-2-383, IEC 60598-2-384, IEC 60598-2-385, IEC 60598-2-386, IEC 60598-2-387, IEC 60598-2-388, IEC 60598-2-389, IEC 60598-2-390, IEC 60598-2-391, IEC 60598-2-392, IEC 60598-2-393, IEC 60598-2-394, IEC 60598-2-395, IEC 60598-2-396, IEC 60598-2-397, IEC 60598-2-398, IEC 60598-2-399, IEC 60598-2-400, IEC 60598-2-401, IEC 60598-2-402, IEC 60598-2-403, IEC 60598-2-404, IEC 60598-2-405, IEC 60598-2-406, IEC 60598-2-407, IEC 60598-2-408, IEC 60598-2-409, IEC 60598-2-410, IEC 60598-2-411, IEC 60598-2-412, IEC 60598-2-413, IEC 60598-2-414, IEC 60598-2-415, IEC 60598-2-416, IEC 60598-2-417, IEC 60598-2-418, IEC 60598-2-419, IEC 60598-2-420, IEC 60598-2-421, IEC 60598-2-422, IEC 60598-2-423, IEC 60598-2-424, IEC 60598-2-425, IEC 60598-2-426, IEC 60598-2-427, IEC 60598-2-428, IEC 60598-2-429, IEC 60598-2-430, IEC 60598-2-431, IEC 60598-2-432, IEC 60598-2-433, IEC 60598-2-434, IEC 60598-2-435, IEC 60598-2-436, IEC 60598-2-437, IEC 60598-2-438, IEC 60598-2-439, IEC 60598-2-440, IEC 60598-2-441, IEC 60598-2-442, IEC 60598-2-443, IEC 60598-2-444, IEC 60598-2-445, IEC 60598-2-446, IEC 60598-2-447, IEC 60598-2-448, IEC 60598-2-449, IEC 60598-2-450, IEC 60598-2-451, IEC 60598-2-452, IEC 60598-2-453, IEC 60598-2-454, IEC 60598-2-455, IEC 60598-2-456, IEC 60598-2-457, IEC 60598-2-458, IEC 60598-2-459, IEC 60598-2-460, IEC 60598-2-461, IEC 60598-2-462, IEC 60598-2-463, IEC 60598-2-464, IEC 60598-2-465, IEC 60598-2-466, IEC 60598-2-467, IEC 60598-2-468, IEC 60598-2-469, IEC 60598-2-470, IEC 60598-2-471, IEC 60598-2-472, IEC 60598-2-473, IEC 60598-2-474, IEC 60598-2-475, IEC 60598-2-476, IEC 60598-2-477, IEC 60598-2-478, IEC 60598-2-479, IEC 60598-2-480, IEC 60598-2-481, IEC 60598-2-482, IEC 60598-2-483, IEC 60598-2-484, IEC 60598-2-485, IEC 60598-2-486, IEC 60598-2-487, IEC 60598-2-488, IEC 60598-2-489, IEC 60598-2-490, IEC 60598-2-491, IEC 60598-2-492, IEC 60598-2-493, IEC 60598-2-494, IEC 60598-2-495, IEC 60598-2-496, IEC 60598-2-497, IEC 60598-2-498, IEC 60598-2-499, IEC 60598-2-500, IEC 60598-2-501, IEC 60598-2-502, IEC 60598-2-503, IEC 60598-2-504, IEC 60598-2-505, IEC 60598-2-506, IEC 60598-2-507, IEC 60598-2-508, IEC 60598-2-509, IEC 60598-2-510, IEC 60598-2-511, IEC 60598-2-512, IEC 60598-2-513, IEC 60598-2-514, IEC 60598-2-515, IEC 60598-2-516, IEC 60598-2-517, IEC 60598-2-518, IEC 60598-2-519, IEC 60598-2-520, IEC 60598-2-521, IEC 60598-2-522, IEC 60598-2-523, IEC 60598-2-524, IEC 60598-2-525, IEC 60598-2-526, IEC 60598-2-527, IEC 60598-2-528, IEC 60598-2-529, IEC 60598-2-530, IEC 60598-2-531, IEC 60598-2-532, IEC 60598-2-533, IEC 60598-2-534, IEC 60598-2-535, IEC 60598-2-536, IEC 60598-2-537, IEC 60598-2-538, IEC 60598-2-539, IEC 60598-2-540, IEC 60598-2-541, IEC 60598-2-542, IEC 60598-2-543, IEC 60598-2-544, IEC 60598-2-545, IEC 60598-2-546, IEC 60598-2-547, IEC 60598-2-548, IEC 60598-2-549, IEC 60598-2-550, IEC 60598-2-551, IEC 60598-2-552, IEC 60598-2-553, IEC 60598-2-554, IEC 60598-2-555, IEC 60598-2-556, IEC 60598-2-557, IEC 60598-2-558, IEC 60598-2-559, IEC 60598-2-560, IEC 60598-2-561, IEC 60598-2-562, IEC 60598-2-563, IEC 60598-2-564, IEC 60598-2-565, IEC 60598-2-566, IEC 60598-2-567, IEC 60598-2-568, IEC 60598-2-569, IEC 60598-2-570, IEC 60598-2-571, IEC 60598-2-572, IEC 60598-2-573, IEC 60598-2-574, IEC 60598-2-575, IEC 60598-2-576, IEC 60598-2-577, IEC 60598-2-578, IEC 60598-2-579, IEC 60598-2-580, IEC 60598-2-581, IEC 60598-2-582, IEC 60598-2-583, IEC 60598-2-584, IEC 60598-2-585, IEC 60598-2-586, IEC 60598-2-587, IEC 60598-2-588, IEC 60598-2-589, IEC 60598-2-590, IEC 60598-2-591, IEC 60598-2-592, IEC 60598-2-593, IEC 60598-2-594, IEC 60598-2-595, IEC 60598-2-596, IEC 60598-2-597, IEC 60598-2-598, IEC 60598-2-599, IEC 60598-2-600, IEC 60598-2-601, IEC 60598-2-602, IEC 60598-2-603, IEC 60598-2-604, IEC 60598-2-605, IEC 60598-2-606, IEC 60598-2-607, IEC 60598-2-608, IEC 60598-2-609, IEC 60598-2-610, IEC 60598-2-611, IEC 60598-2-612, IEC 60598-2-613, IEC 60598-2-614, IEC 60598-2-615, IEC 60598-2-616, IEC 60598-2-617, IEC 60598-2-618, IEC 60598-2-619, IEC 60598-2-620, IEC 60598-2-621, IEC 60598-2-622, IEC 60598-2-623, IEC 60598-2-624, IEC 60598-2-625, IEC 60598-2-626, IEC 60598-2-627, IEC 60598-2-628, IEC 60598-2-629, IEC 60598-2-630, IEC 60598-2-631, IEC 60598-2-632, IEC 60598-2-633, IEC 60598-2-634, IEC 60598-2-635, IEC 60598-2-636, IEC 60598-2-637, IEC 60598-2-638, IEC 60598-2-639, IEC 60598-2-640, IEC 60598-2-641, IEC 60598-2-642, IEC 60598-2-643, IEC 60598-2-644, IEC 60598-2-645, IEC 60598-2-646, IEC 60598-2-647, IEC 60598-2-648, IEC 60598-2-649, IEC 60598-2-650, IEC 60598-2-651, IEC 60598-2-652, IEC 60598-2-653, IEC 60598-2-654, IEC 60598-2-655, IEC 60598-2-656, IEC 60598-2-657, IEC 60598-2-658, IEC 60598-2-659, IEC 60598-2-660, IEC 60598-2-661, IEC 60598-2-662, IEC 60598-2-663, IEC 60598-2-664, IEC 60598-2-665, IEC 60598-2-666, IEC 60598-2-667, IEC 60598-2-668, IEC 60598-2-669, IEC 60598-2-670, IEC 60598-2-671, IEC 60598-2-672, IEC 60598-2-673, IEC 60598-2-674, IEC 60598-2-675, IEC 60598-2-676, IEC 60598-2-677, IEC 60598-2-678, IEC 60598-2-679, IEC 60598-2-680, IEC 60598-2-681, IEC 60598-2-682, IEC 60598-2-683, IEC 60598-2-684, IEC 60598-2-685, IEC 60598-2-686, IEC 60598-2-687, IEC 60598-2-688, IEC 60598-2-689, IEC 60598-2-690, IEC 60598-2-691, IEC 60598-2-692, IEC 60598-2-693, IEC 60598-2-694, IEC 60598-2-695, IEC 60598-2-696, IEC 60598-2-697, IEC 60598-2-698, IEC 60598-2-699, IEC 60598-2-700, IEC 60598-2-701, IEC 60598-2-702, IEC 60598-2-703, IEC 60598-2-704, IEC 60598-2-705, IEC 60598-2-706, IEC 60598-2-707, IEC 60598-2-708, IEC 60598-2-709, IEC 60598-2-710, IEC 60598-2-711, IEC 60598-2-712, IEC 60598-2-713, IEC 60598-2-714, IEC 60598-2-715, IEC 60598-2-716, IEC 60598-2-717, IEC 60598-2-718, IEC 60598-2-719, IEC 60598-2-720, IEC 60598-2-721, IEC 60598-2-722, IEC 60598-2-723, IEC 60598-2-724, IEC 60598-2-725, IEC 60598-2-726, IEC 60598-2-727, IEC 60598-2-728, IEC 60598-2-729, IEC 60598-2-730, IEC 60598-2-731, IEC 60598-2-732, IEC 60598-2-733, IEC 60598-2-734, IEC 60598-2-735, IEC 60598-2-736, IEC 60598-2-737, IEC 60598-2-738, IEC 60598-2-739, IEC 60598-2-740, IEC 60598-2-741, IEC 60598-2-742, IEC 60598-2-743, IEC 60598-2-744, IEC 60598-2-745, IEC 60598-2-746, IEC 60598-2-747, IEC 60598-2-748, IEC 60598-

BIONIQ SQUARE ADJUSTABLE COMFORT TRIMLESS

A35531-

PROJECT

TYPE

SPECIFIER

QUANTITY

DATE



BIONIQ SQUARE DEEP TRIMLESS

A35532-

base number Finishes (Diamond) Finishes (Triangle) Ceiling Thickness Reflector Options

- To build a product code in our configurator select the specify button on the base model # product page
- To build a manual product code on this datasheet choose from the options listed below in blue font and add the suffix to the base model #

GENERAL

Series: Bioniq
 Subseries: Bioniq Square Deep
 Brand: Prolicht
 Division: Architectural
 Mounting Type: Trimless
 Mounting Location: Ceiling
 Subcategory: Downlight

PHYSICAL

Diameter (mm): 95
 Diameter (in): 3 3/4
 Length (mm): 106
 Length (in): 4 3/16
 Width (mm): 106
 Width (in): 4 3/16
 Height (mm): 150
 Height (in): 5 7/8
 Ceiling Thickness (mm): 10 / 12.5 / 15 / 25
 Ceiling Thickness (in): 3/8 or 1/2 or 9/16 or 1
 Min. Recessing Depth (mm): 170
 Min. Recessing Depth (in): 6 11/16
 Light Distribution: Downlight
 Weight (kg): 0.688
 Weight (lbs): 1.52
 Fixture Finish: SSR / BKV / CWI / CRY / HAB / UFT / ITA / RUA / FTG / MYG / LOD / PUS / FRO / FUP / KIA / POP / BLS / SPG / MEY / GOH / GUM / CHC / COM / ABZ / JAG / OBR / MOS / ROR
 Fixture Material: Aluminum Die Cast
 Cut-out Measurements: 120mm / 4 3/4" x 120mm / 4 3/4"
 Upon Request: Unique Ceiling Thickness

ELECTRICAL

Lamp Type: LED (Zhaga Standard)
 Input Wattage (W): 16.5
 Total Output Wattage (W): 14.7
 Dimming: Dali Dimming
 Driver Included: No
 Driver Location: Recessed Housing
 Driver Type: Constant Current - 120Vac
 Driver Class: Class 2
 Housing: See Components
 Input Voltage (V): 120
 Constant Current (MA): 350

LED

Number of LEDs: 1
 Color Temperature (°K): Warm Dim
 Max. Delivered Lumen (lm): 770
 Nominal Lumen (lm): 1140
 CRI: >90 CRI
 Lamp Life (hrs): 50000
 Upon Request: RGB-W Tunable White Special Color Temperature Special LED

OPTICAL

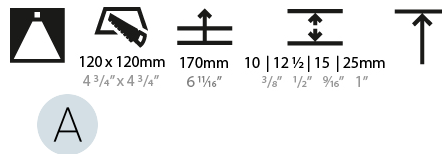
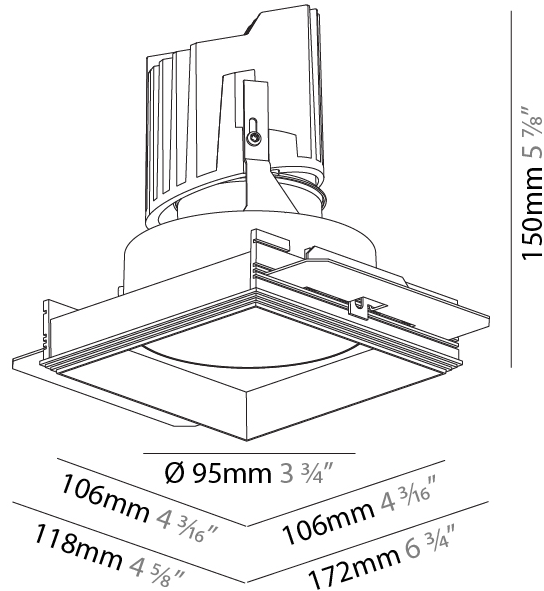
Reflector: 20 / 40 / 60
 Upon Request: Special Beam Angles

RATINGS AND CERTIFICATIONS

Zaneen Group, Inc. 1600 988 3382, F 416-247-9319, www.zaneen.com

Certified By: Certified for North American Standards
 In a constant effort to supply the best product, we reserve the right to change specifications or materials without notice. The most recent specification sheets are found at zaneen.com

PROJECT
TYPE
SPECIFIER
QUANTITY
DATE



BIONIQ SQUARE DEEP TRIMLESS

A35532-

PROJECT

TYPE

SPECIFIER

QUANTITY

DATE



PROJECT	_____
TYPE	_____
SPECIFIER	_____
QUANTITY	_____
DATE	_____

BIONIQ SQUARE DEEP COMFORT TRIMLESS

A35533-

base number	Finishes (Diamond)	Finishes (Triangle)	Ceiling Thickness	Reflector Options
-------------	-----------------------	------------------------	----------------------	----------------------

- To build a product code in our configurator select the specify button on the base model # product page
- To build a manual product code on this datasheet choose from the options listed below in blue font and add the suffix to the base model #

GENERAL

Series: Bioniq
 Subseries: Bioniq Square Deep Comfort
 Brand: Prolicht
 Division: Architectural
 Mounting Type: Trimless
 Mounting Location: Ceiling
 Subcategory: Downlight

PHYSICAL

Shape: Square
 Length (mm): 106
 Length (in): 4 3/16
 Width (mm): 106
 Width (in): 4 3/16
 Height (mm): 150
 Height (in): 5 7/8
 Ceiling Thickness (mm): 10 / 12.5 / 15 / 25
 Ceiling Thickness (in): 3/8 or 1/2 or 9/16 or 1
 Min. Recessing Depth (mm): 170
 Min. Recessing Depth (in): 6 11/16
 Light Distribution: Downlight
 Weight (kg): 0.769
 Weight (lbs): 1.69
 Fixture Finish: SSR / BKV / CWI / CRY / HAB / UFT / ITA / RUA / FTG / MYG / LOD / PUS / FRO / FUP / KIA / POP / BLS / SPG / MEY / GOH / GUM / CHC / COM / ABZ / JAG / OBR / MOS / ROR
 Fixture Material: Aluminum Die Cast
 Cut-out Measurements: 120mm / 4 3/4" x 120mm / 4 3/4"
 Upon Request: Unique Ceiling Thickness

ELECTRICAL

Lamp Type: LED (Zhaga Standard)
 Input Wattage (W): 16.5
 Total Output Wattage (W): 14.7
 Dimming: Dali Dimming
 Driver Included: No
 Driver Location: Recessed Housing
 Driver Type: Constant Current - 120Vac
 Driver Class: Class 2
 Housing: See Components
 Input Voltage (V): 120
 Constant Current (MA): 350

LED

Number of LEDs: 1
 Max. Delivered Lumen (lm): 770
 Nominal Lumen (lm): 1140
 CRI: >90 CRI
 Lamp Life (hrs): 50000
 Upon Request: RGB-W Tunable White Special Color Temperature Special LED

OPTICAL

Reflector*: 20 / 40 / 60
 Upon Request: Special Beam Angles

RATINGS AND CERTIFICATIONS

Certified By: Certified for North American Standards

IP rating: IP20
 Zaneen Company Inc. © 2024, T 1800-388-3382, F 416-247-9319, www.zaneen.com



BIONIQ SQUARE DEEP COMFORT TRIMLESS

A35533-

PROJECT _____

TYPE _____

SPECIFIER _____

QUANTITY _____

DATE _____



PROJECT	
TYPE	
SPECIFIER	
QUANTITY	
DATE	

BIONIQ ROUND ADJUSTABLE RECESSED

A35542- -

base number Finishes (Diamond) Reflector Options

- To build a product code in our configurator select the specify button on the base model # product page
- To build a manual product code on this datasheet choose from the options listed below in blue font and add the suffix to the base model #

GENERAL

Series: Bioniq
 Subseries: Bioniq Round Adjustable
 Brand: Prolicht
 Division: Architectural
 Mounting Type: Recessed
 Mounting Location: Ceiling
 Subcategory: Downlight

PHYSICAL

Shape: Round
 Diameter (mm): 107
 Diameter (in): 4 3/16
 Height (mm): 112
 Height (in): 4 7/16
 Min. Recessing Depth (mm): 130
 Min. Recessing Depth (in): 5 1/8
 Light Distribution: Adjustable / Downlight
 Weight (kg): 0.46
 Weight (lbs): 1.01
 Fixture Finish: [SSR / BKV / CWI / CRY / HAB / UFT / ITA / RUA / FTG / MYG / LOD / PUS / FRO / FUP / KIA / POP / BLS / SPG / MEY / GOH / GUM / CHC / COM / ABZ / JAG / OBR / MOS / ROR](#)
 Fixture Material: Aluminum Die Cast
 Cut-out Measurements: 98mm / 3 7/8"

ELECTRICAL

Lamp Type: LED (Zhaga Standard)
 Input Wattage (W): 16.5
 Total Output Wattage (W): 14.7
 Dimming: Dali Dimming
 Driver Included: No
 Driver Location: Recessed Housing
 Driver Type: Constant Current - 120Vac
 Driver Class: Class 2
 Input Voltage (V): 120
 Constant Current (MA): 350

LED

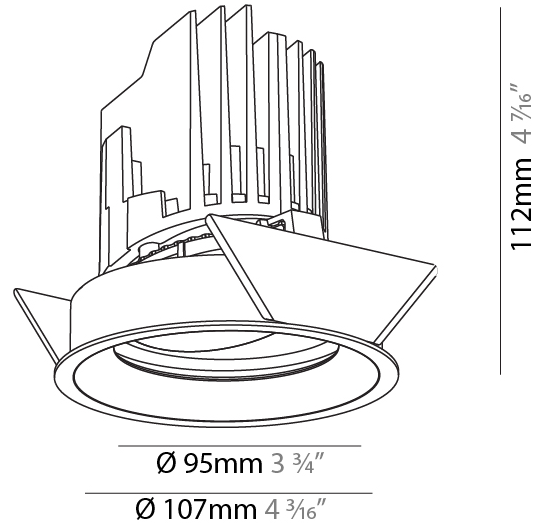
Number of LEDs: 1
 Color Temperature (°K): Warm Dim
 Max. Delivered Lumen (lm): 760
 Nominal Lumen (lm): 1140
 CRI: >90 CRI

OPTICAL

Reflector°: [20 / 40 / 60](#)
 Adjustability: Rotational 355°; Tilt 30°

RATINGS AND CERTIFICATIONS

Certified By: Certified for North American Standards
 IP rating: IP20



98mm 3 7/8"	130mm 5 1/8"	10 15mm 3/8" 9/16"	30°	355°		

A

BIONIQ ROUND ADJUSTABLE RECESSED

A35542-

PROJECT

TYPE

SPECIFIER

QUANTITY

DATE



A

PROJECT
TYPE
SPECIFIER
QUANTITY
DATE

Fixture Finish

Sparkling Silver - 01 (SSR)



Black Velvet - 02 (BKV)



Crystal White - 03 (CWI)



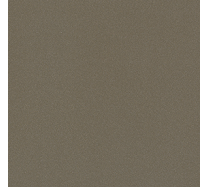
Creamy - 04 (CRY)



Hampton Bay - 05 (HAB)



Urban Forest - 07 (UFT)



In the Army - 08 (ITA)



Rusty Angel - 09 (RUA)



Fade to Gray - 12 (FTG)



Mysterious Gray - 13 (MYG)



Lost Dream - 15 (LOD)



Purple Sky - 16 (PUS)



Fresh Oh - 17 (FRO)



Funky P. - 18 (FUP)



Kissing Aphrodite - 19 (KIA)



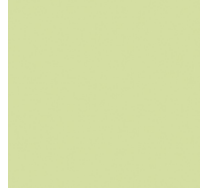
Poseidon's Paradise - 20 (POP)



Blue Sky - 21 (BLS)



Spring Green - 22 (SPG)



Mellow Yellow - 23 (MEY)



Golden Heart - 24 (GOH)



Gun Metal - 25 (GUM)



Champagne Cream - 26 (CHC)



Copper Mine - 27 (COM)



Ancient Bronze - 28 (ABZ)



Jazz Gold - 29 (JAG)



Olive Breeze - 30 (OBR)



Moonlight Silver - 31 (MOS)



Rosewood Red - 32 (ROR)



Digital: Not all screens are calibrated the same, and therefore, colors will appear differently between screens.

Physical: When texture is involved, there will be variations in color, character and tone within a product series and between product families.

Gun Metal: No Gun Metal finish is alike. It combines a mixture of transparent and black color particles which ensures a highly individual effect and no luminaire being identical.

Champagne Cream, Copper Mine, Ancient Bronze + Jazz Gold: These finishes have slight fading from specific powder coating production. Each luminaire will slightly vary.



PROJECT	
TYPE	
SPECIFIER	
QUANTITY	
DATE	

LEGEND

	floor-mounted		pivotable		special LED (upon request) RGB, RGBW, tunable, gold+, meat+, art+, fashion+
	wall and ceiling: recessed and surface mounted		rotating		warm dim / natural dimming LED
	ceiling-mounted and wall-mounted		illuminate tilted		rechargeable battery powered
	wall-mounted		color of suspension cable		fixture with natural vivid LED (upon request)
	omni-directional light distribution		length of suspension cable		color rendering index
	direct light distribution		reflector degree selection		color temperature
	direct/indirect light distribution		super spot		lumen (luminous flux)
	indirect light distribution		lens		efficacy (lumens per watt)
	asymmetric light distribution		lens pack		Unified Glare Rating (UGR) range from 5-40
	aura light distribution		shine ring		marine grade (AISI 316 stainless steel)
	round wall or ceiling cut-out		integrated shine ring with diffuser		walk on
	square wall or ceiling cut-out		free individual colors 01-29		drive on
	the supplied jig specifies the cutout dimensions		individual colors: 00 (free of charge), 01-25 (extra charge)		Dark Sky Compliance
	minimum distance (meters) lamp - object		luminaire part to be colored (F1)		Americans with Disabilities Act (less than 4" off the wall located between 27"-84" from floor)
	recessed depth		luminaire part to be colored (F2)		lamp protected against explosion
	ceiling thickness in mm		luminaire part to be colored (F3)		blown glass using traditional methods by master glass blower
	ceiling thickness selection		luminaire part to be colored (F4)		acoustic material
	dimmable DP (phase), DV (0-10V), DD (dali), DS (step-dim)		luminaire part to be colored (F5)		protection class I, protection insulation
	included or excluded LED driver/transformer/control gear		color of 3-circuit adaptor		protection class II, protection insulation
	separately switchable		indirect diffuser		ETL Certified to UL and CSA Standards
	sensor		direct diffuser		UL Certified to UL and CSA Standards
	remote control		ball-proof (upon request)		CSA Certified to UL and CSA Standards
	available upon request		accessory		Certified for North American Standards

IP RATING

	protected against ingress of solid bodies greater than 12.5mm (finger)
	protected against ingress of solid bodies greater than 2.5mm protected against sprays of water up to 60 degrees from the vertical (rain)
	protected against ingress of solid bodies greater than 1mm (wire) no protection against the ingress of moisture
	protected against ingress of solid bodies greater than 1mm (wire) protected against sprays of water up to 60 degrees from the vertical (rain)
	protected against ingress of solid bodies greater than 1mm (wire) protected against water splashed from all directions
	protected against limited ingress of dust (wet rooms/covered outdoor areas) protected against water splashed from all directions
	protected against ingress of dust protected against jets of water
	protected against ingress of dust protected against powerful jets of water or heavy seas
	protected against ingress of dust protected against immersion of water between 15cm - 1m for 30 minutes
	protected against ingress of dust protected against immersion of water under pressure for long periods

IK RATING

	protected against 0.14 joules impact (equivalent to 0.25kg mass dropped from 56mm above the surface)
	protected against 0.2 joules impact (equivalent to 0.25kg mass dropped from 80mm above the surface)
	protected against 0.35 joules impact (equivalent to 0.25kg mass dropped from 140mm above the surface)
	protected against 0.5 joules impact (equivalent to 0.25kg mass dropped from 200mm above the surface)
	protected against 0.7 joules impact (equivalent to 0.25kg mass dropped from 280mm above the surface)
	protected against 1 joules impact (equivalent to 0.25kg mass dropped from 400mm above the surface)
	protected against 2 joules impact (equivalent to 0.5kg mass dropped from 400mm above the surface)
	protected against 5 joules impact (equivalent to 1.7kg mass dropped from 300mm above the surface)
	protected against 10 joules impact (equivalent to 5.0kg mass dropped from 200mm above the surface)
	protected against 20 joules impact (equivalent to 5.0kg mass dropped from 400mm above the surface)